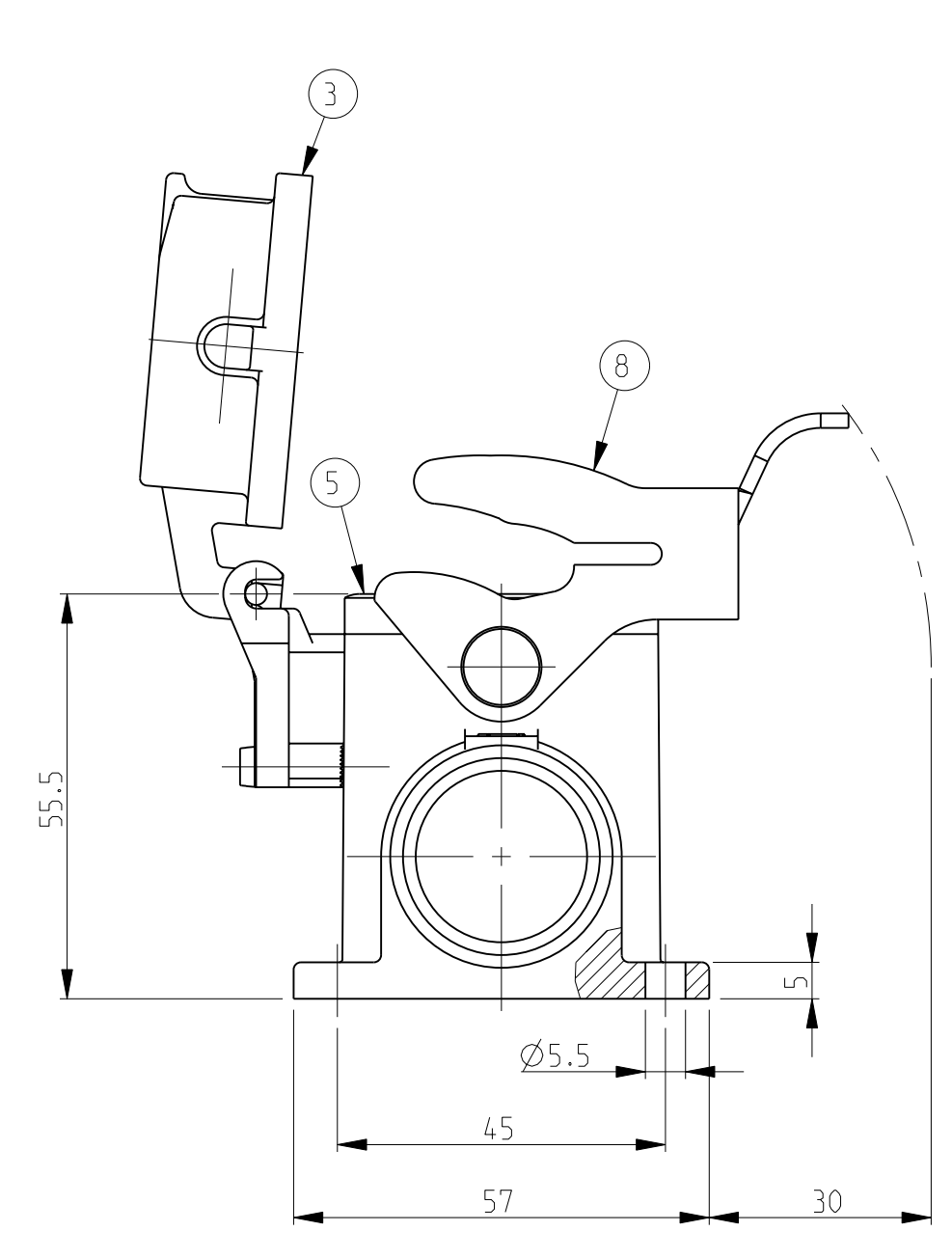
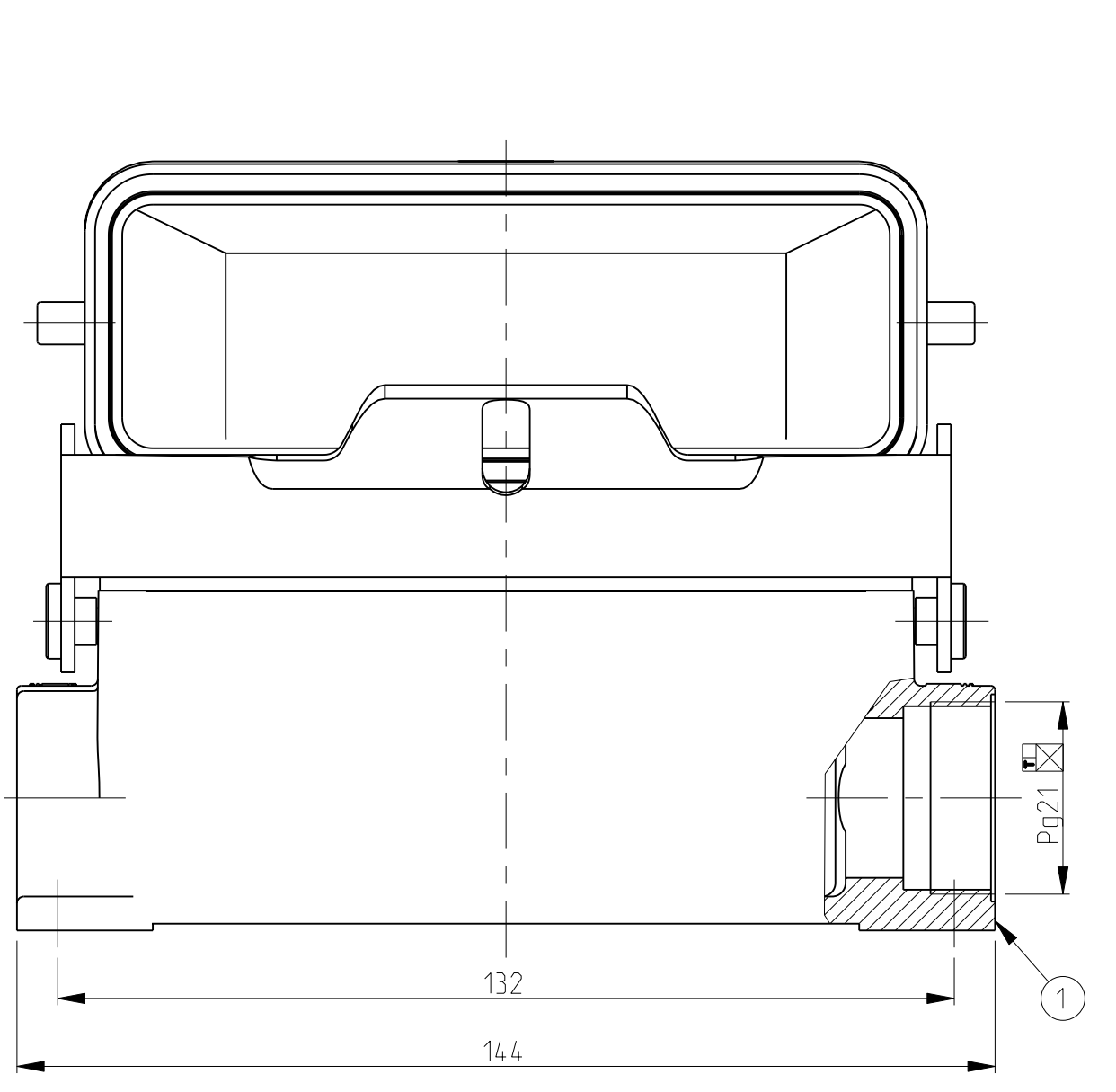
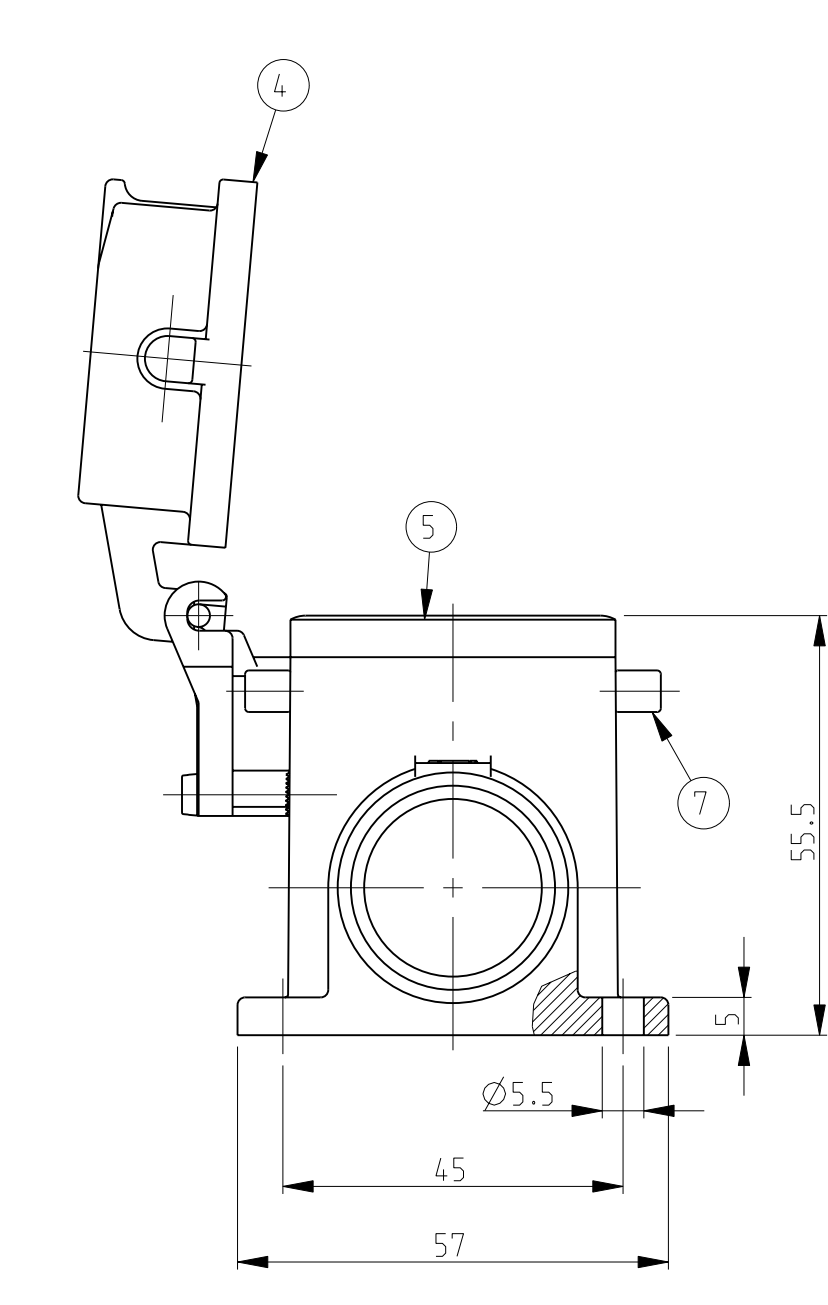
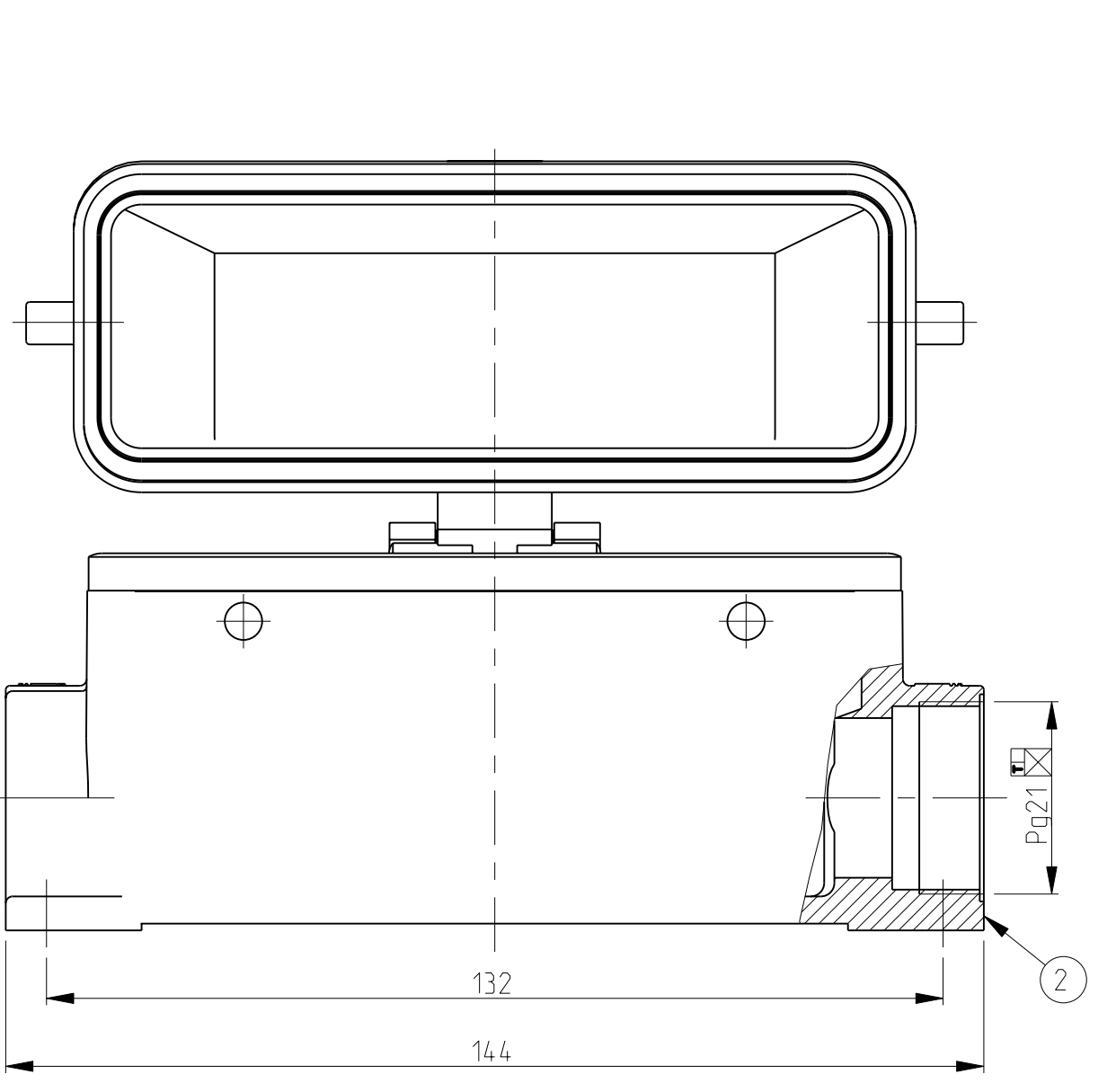
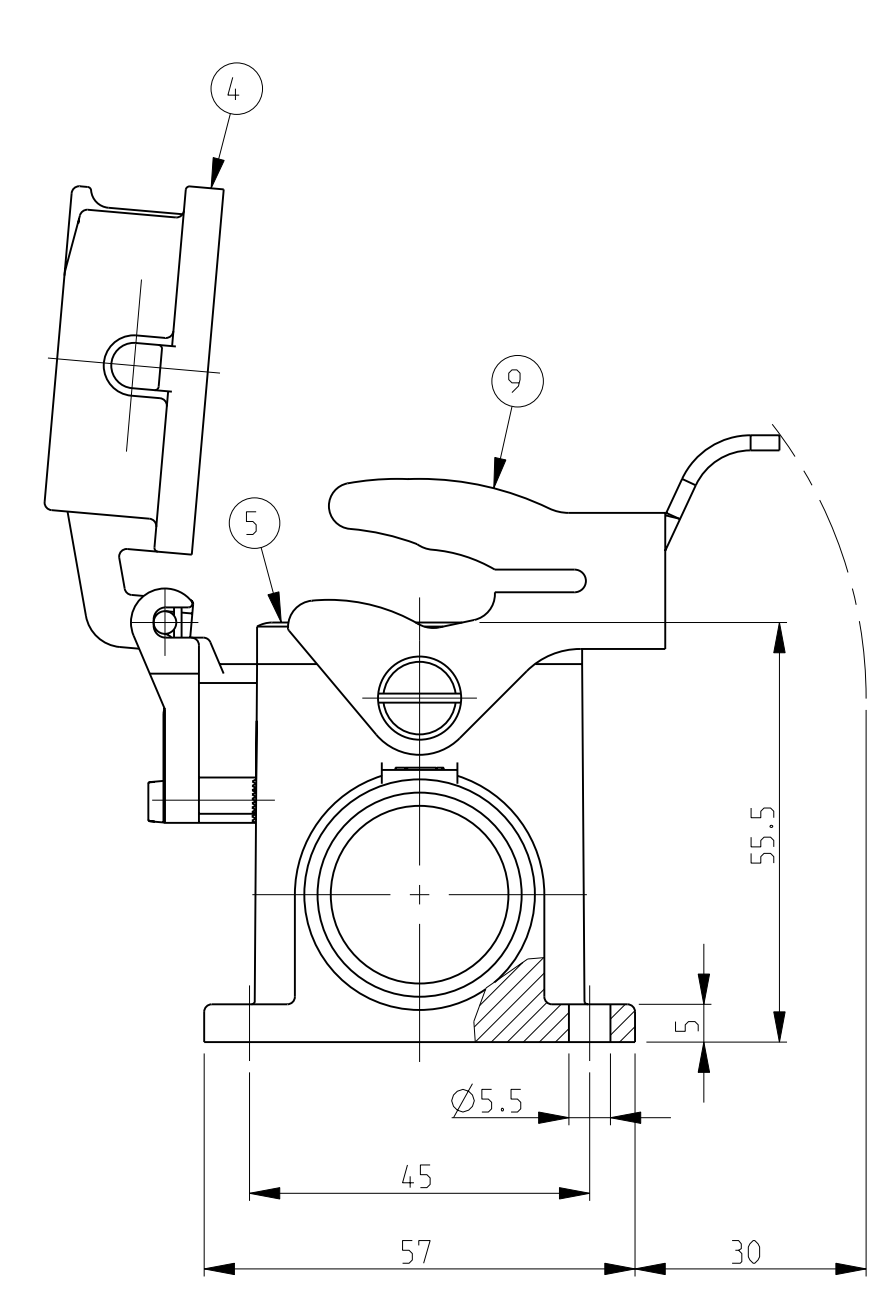
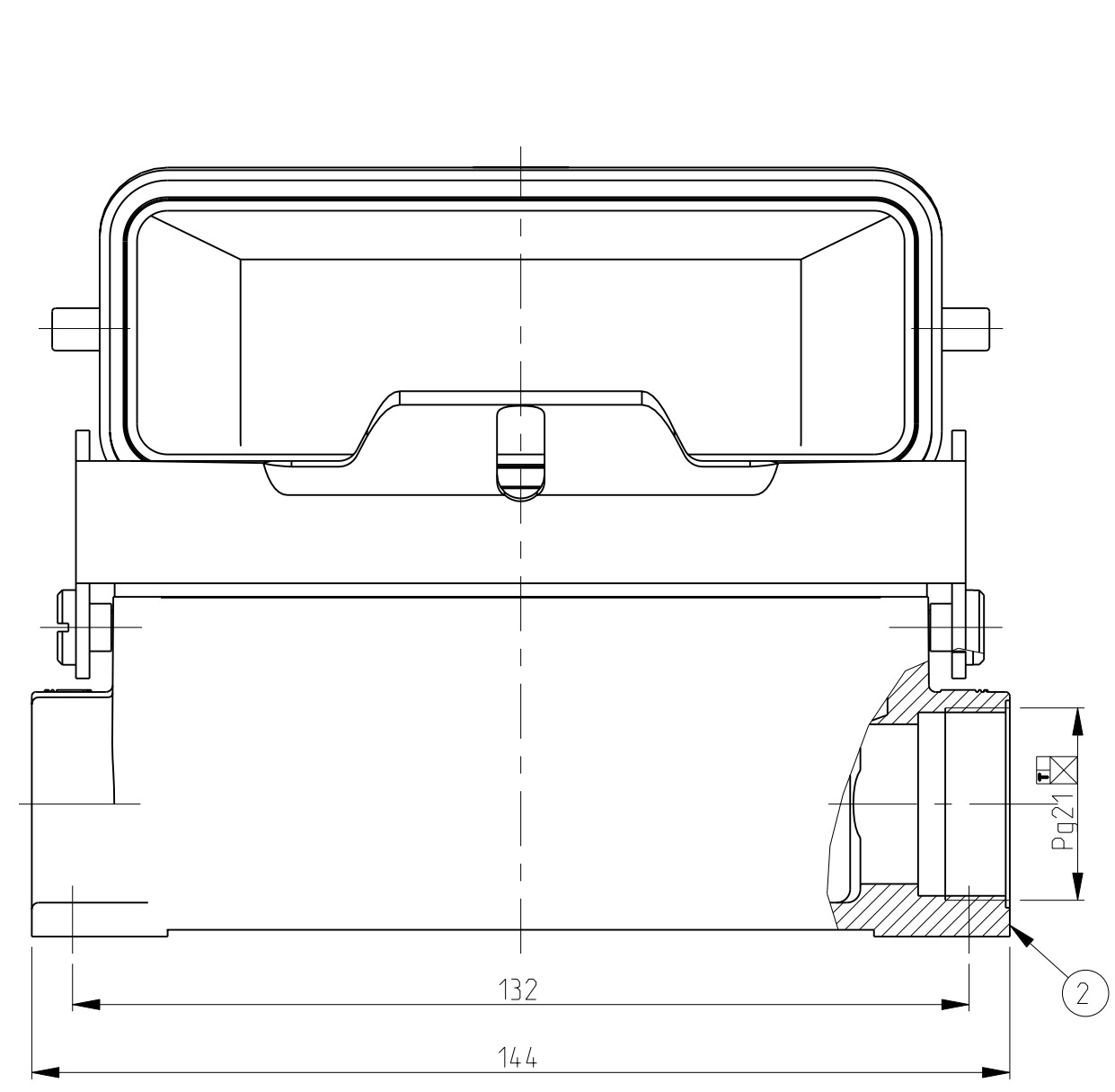
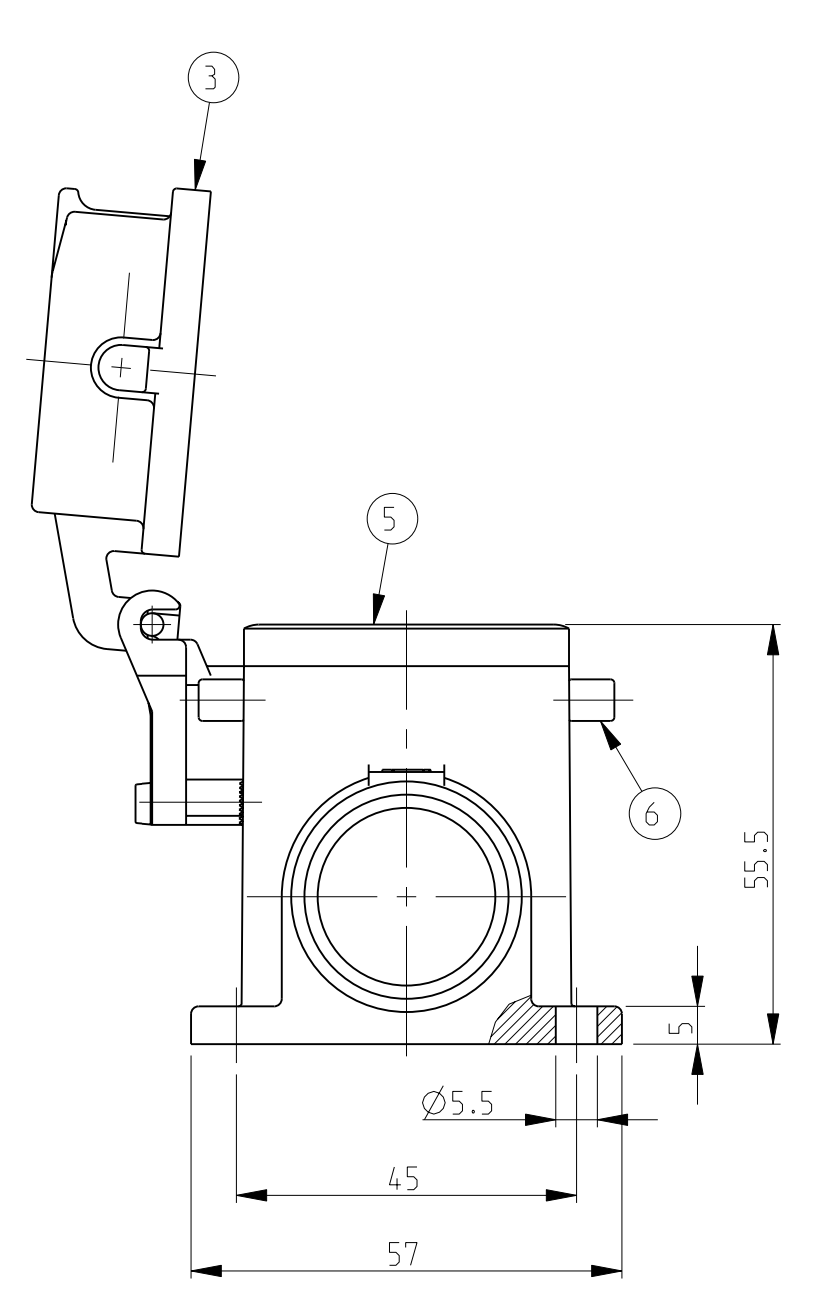
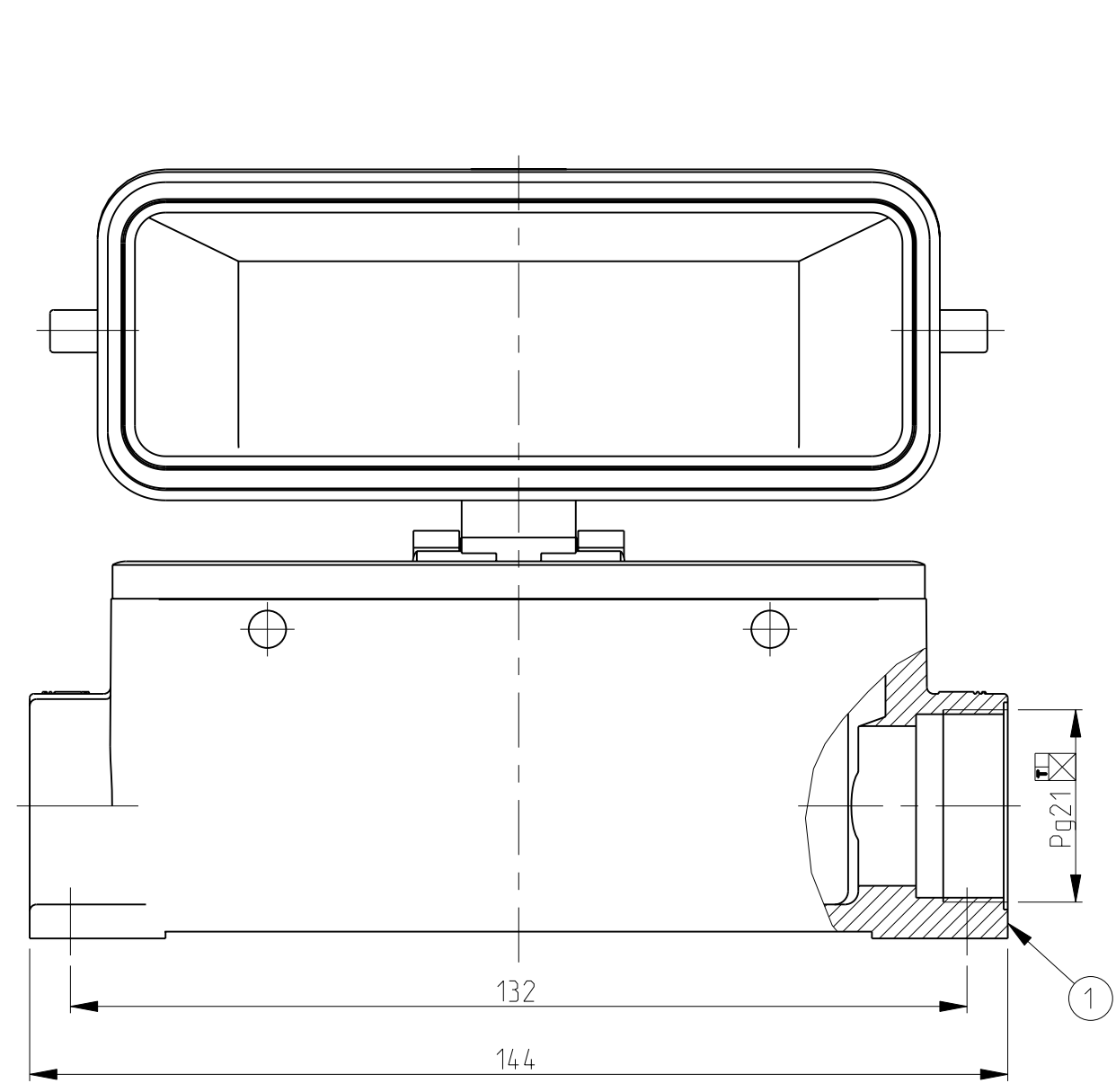
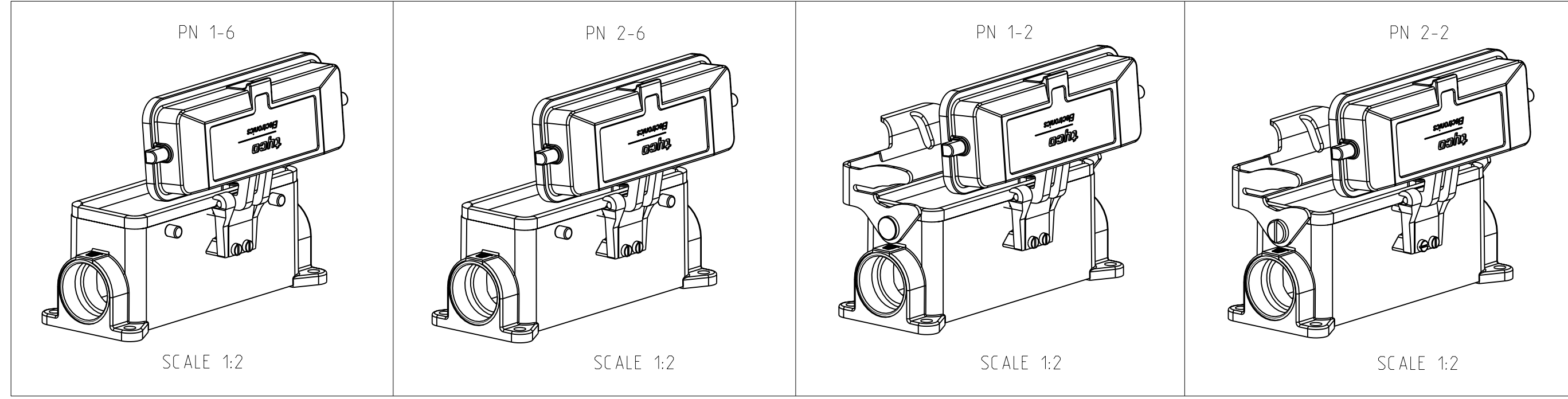


LOC	DIST	REVISIONS			
P	LTR	DESCRIPTION	DATE	DWN	APVD
A1	-	Released as per ECR-08-019772	04.Sep.2008	SP	TS



- NOTES.
- Material:Housing:Aluminium Diecasting Alloy
Seals:Neoprene
 - Surface:Vannish grey
-Aluminium Oxide +Vannish Black
 - Vannish on the inside not necessary
 - Packaging
Quantity 5 Pieces in a box



QTY	ITEM NO	DESCRIPTION	MATERIAL	SURFACE	COLOR	ITEM NO	REMARKS		
1	1	LB-Side Clip	Stainless steel	Blank		9			
	1	LB-Side Clip	Steel	Zinc plated	Blue	8			
	4	VS-Clip bolt	Stainless steel	Blank		7			
	4	VS-Clip bolt	Steel	Zinc plated	Blue	6			
1	1	Profile seal	Neoprene		Black	5			
1	1	Cover finished product HB-K	Aluminium	Aluminium oxide	Black RAL 9005	4			
1	1	Cover finished product HB	Aluminium		Grey RAL 7001	3			
1	1	Surface mounted housing side entry HB-K	Aluminium	Aluminium oxide	Black RAL 9005	2			
1	1	Surface mounted housing side entry HB	Aluminium		Grey RAL 7001	1			
2-2	1-2	2-6	1-6	DESCRIPTION	MATERIAL	SURFACE	COLOR	ITEM NO	REMARKS
ORDERING TEXT									
HB.24.SGD.1.21.Z									
HB-K.24.SGD.1.21.Z									
HB.24.SGD-LB.1.21.Z									
HB-K.24.SGD-LB.1.21.Z									

DIMENSIONS: mm
 TOLERANCES UNLESS OTHERWISE SPECIFIED:
 0-9 mm ±0.15
 10-25 mm ±0.2
 25-50 mm ±0.3
 50-100 mm ±0.4
 100-200 mm ±0.5
 ANGLES ±0.5
 FINISH -

DWN: Schneider 13.05.03
 CHK: Schneider 13.05.03
 APVD: -
 NAME: -
 PRODUCT SPEC: -
 APPLICATION SPEC: -
 WEIGHT: -
 CUSTOMER DRAWING: -

Tyco Electronics Tyco Electronics,AMP.GmbH
 0-53757 Sankt Augustain, Germany
 Surface mounted housing side entry
 HB.24.SGD.1.21.Z
 SIZE: A1 CAGE CODE: 00779 DRAWING NO: C=1102343
 SCALE: 1:1 SHEET: 1 OF 1 REV: A2